

RIWAX[®]

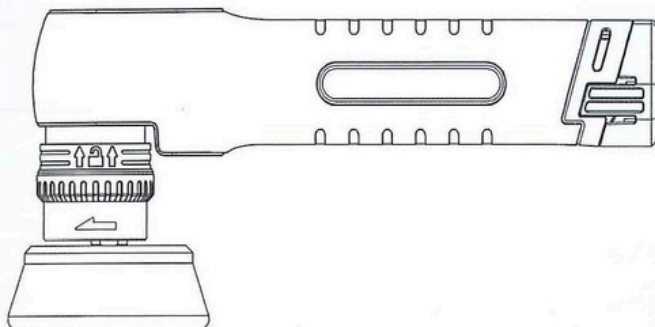
time to shine

MINI POLISHER

Codice: 05730

Motor Brushless

Instruction manual






Please read this manual carefully before use for your
Please keep the manual properly for late use

- The producer reserves the right to change the specifications without notice.
- Specifications and battery packs may vary depending on the country to which they are sold.

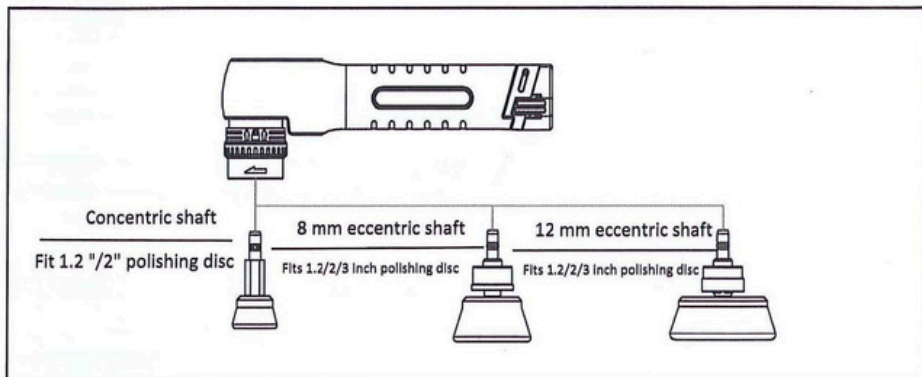
Symbol

The following shows the symbols that this device may use. It is important to understand its meaning before using the tool.

	Warning: To reduce the risk of injury, users must read the instruction manual		
	Please do not discard electrical equipment or battery packs with household waste in EU countries! Be sure to comply with the European Directive on waste electrical and electronic equipment, batteries and accumulators, as well as waste batteries and accumulators, and implement them in accordance with laws and regulations. Electrical equipment and battery packs that have reached the end of their service life must be sorted and recycled to a recycling facility that complies with environmental protection regulations.		
	Direct current	AH	Abe/hour
Wh	Watts/hour	V	Volt
No	No-load speed	/min	Every minute

Use

This tool is used for surface polishing of paint, metal, wood, stone, glass and other materials.



Technical parameters

Model		05730	05730
Voltage		10.8/12V	110/220V
Rpm	Concentric	2000-5800RPM	2000-5800RPM
	Eccentricity	2000-5800OPM	2000-5800OPM
The length of time the battery lasts for one time when it is fully charged		30min	
Charging time		45min	
Electric speed regulation		Variable 4	Variable 4
Overcurrent protection		15A	15A
Size		280x56x92mm	280x56x92mm
Weight		1kg	1kg

General safety warnings for power tools



Warning

Please read through all safety warnings and all instructions, failure to follow them may result in electric shock, fire and/or serious personal injury.

Please keep all warnings and instructions for future reference.

Power tools in the warning refers to power tools that are powered by a power supply (wiring) or battery (recharged).

Work area security matters

1. Keep the working area clean and the lighting is good. Chaotic or dark work areas can easily lead to unexpected situations.
2. Do not operate power tools in a flammable and explosive environment, such as flammable liquids, gases or dust. Sparks from power tools can ignite dust or gases.
3. When operating power tools, please keep children and bystanders away, distraction will cause the machine to lose control.

Electrical safety matters

The plug of the power tool must match the socket, do not modify the plug in any way, do not use any adapter plug for grounded power tools, unmodified plug and matching socket can reduce the risk of electric shock.

Please avoid physical contact with grounded surfaces such as tubes, radiators, stoves and refrigerators. If your body is grounded, it will increase the risk of electric shock.

3. Do not expose power tools to rain or humid environment, water entering power tools will increase the risk of electric shock.
4. Do not use the wire improperly, do not drag the wire to move the tool or pull the wire to pull out the plug, etc. Avoid heating, grease and sharp edges of the wire. Broken or wound wires increase the risk of electric shock.
5. When operating power tools outdoors, please use an outdoor extension cord. The use of dedicated wires for outdoor purposes reduces the risk of electric shock.
6. If you must operate power tools in a humid place, please use a power supply (GFCI) with a leakage circuit breaker protection function.

Personal safety precautions

1. When using power tools, you must be sober, concentrated, and pay attention to the rationality of the operation. Tools should not be used when fatigued or under the influence of drugs, alcohol, or treatment. A slight distraction when operating power tools can cause serious injuries.
2. Please use personal labor protection equipment, please be sure to wear an eye mask. Proper use of protective equipment such as dust masks, non-slip safety shoes, hard hats or earmuffs can reduce the risk of personal injury.
3. To prevent accidental starting, before connecting to the power supply and/or battery pack, before picking up or carrying the tool, please ensure that the switch is in the closed position, when carrying the tool, the finger on the switch or the tool is powered on when the switch is turned on will cause unexpected situations.
4. Pay attention to clothing, do not wear loose clothes or jewelry, and do not let your hair, clothes and gloves be close to moving parts. Loose clothing, jewelry, or long hair can get caught up in moving parts.

5. Do not abuse power tools, choose to use the correct power tools according to the use, and do not exceed its design rating when using the tools, so as to complete the work better and safer.

6. Before making any adjustments, replacing accessories or storing power tools, please unplug from the power supply/remove the battery pack from the tools, these safety measures can reduce the risk of accidental starting of the tools.

7. Please only use the charger specified by the manufacturer for charging, when the charger suitable for one type of battery pack is used for other types of battery packs, it may cause fire.

8. Power tools can only use specially designated battery packs, and the use of other types of battery packs may cause personal injury or fire.

9. When not using the battery pack, please keep it away from paper clips, coins, keys, nails, screws or other small metal objects. These objects form connections from one end to the other, short-circuiting the battery terminals and potentially causing combustion or fire.

10. When overused, liquid may overflow from the battery. Please avoid contact. Rinse with water if accidental contact with battery leaks. If liquid comes into contact with eyes, seek medical attention. Battery leakage may cause allergy inflammation or burns.

11. If you can connect the dust removal equipment and the dust collection equipment, please be sure to connect and use it correctly. The use of these devices can reduce dust-related hazards.

12. Do not use power tools with faulty switches. Power tools that cannot be controlled with switches are dangerous and must be repaired.

13. Power tools should be kept out of contact with children, and people who are not familiar with power tools or are not familiar with this instruction manual should not be allowed to operate power tools. It is dangerous for untrained personnel to operate power tools.

Maintenance

1. Please hand over your power tools to qualified professional maintenance personnel, and only use the same replacement parts as the original parts, which can ensure the safety of the tools.

2. Lubrication and replacement of accessories according to the following instructions.

3. Keep the handle dry and clean.

Safety warning for cordless polisher use

1. Please hold this tool firmly.

2. Hands should be kept away from rotating parts.

3. The tools in operation should not be placed without hand, and the tools can only be

Keep these manuals safe



Warning

Please do not fail to comply with the product's safety rules for it is convenient and familiar with the product (due to reuse of reuse).



Warning

To reduce the risk of injury or explosion, do not burn or incinerate the battery pack of the tool. Even if the battery is damaged, used up, or completely discharged, toxic fumes and materials are produced when burned.

Model	Chemistry	Voltage (V)	Capacity (AH)
05730	Lithium-ion	10.8-12	2.5

Important safety precautions for battery packs

1. Before using the battery pack, please carefully read through all instructions and (1) the battery charger (2) the battery, and (3) the warning marks on the product using the battery.
2. Do not disassemble the battery pack.
3. If the machine running time becomes too short, please stop using it immediately. Otherwise it may lead to overheating, fire or even explosion.
4. If the electrolyte gets into your eyes, please rinse it with clean water and seek medical attention immediately, otherwise it may cause visual impairment.

5. Do not short-circuit the battery pack!

1. Do not let any conductive material touch the terminal.
2. Avoid placing the battery pack in the same container as other metal objects such as nail and coins.
3. Do not put the battery pack in water or let it rain. A short circuit in the battery will generate a large current causing overheating and may cause a fire or even breakdown.
4. Do not place tools and battery packs where the temperature may reach or exceed 50° C (122° F).
5. Even if the battery pack has been seriously damaged or completely worn, do not incinerate the battery pack. The battery pack will explode in a fire.
6. Please do not hit the battery or cause it to fall.
7. Do not use damaged batteries.

Please keep this manual

Tips for maintaining maximum battery life

1. Charge the battery pack in time before it is completely depleted. When you find that the battery is low, stop the tool operation and charge the battery pack.
2. Do not recharge the fully charged battery pack. Overcharging will shorten the life of the battery.
3. Please charge the battery pack at room temperature of 10° C-40° C (50° F-104° F).
Please cool the hot battery pack before charging.
4. If you have not used the tool for a long time, please charge the battery pack every six months.

Noise release value

The noise release value was detected in accordance with the following instructions

Sound pressure level	db (A)	70
Sound power level	db (A)	81
Uncertain	K	3

Vibration release value

3-axis vibration stage	m/s ²	<2,5
Uncertain	k	0,5

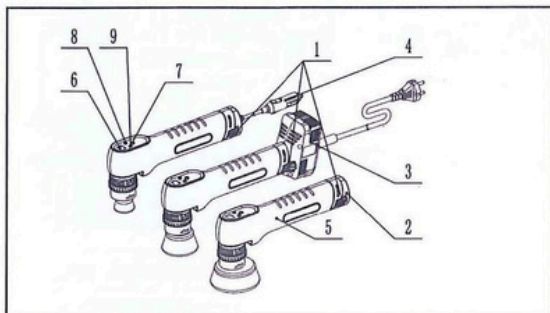
Feature description

CAUTION • Before adjusting or checking tool functionality, be sure to power off the tool and remove the battery pack.

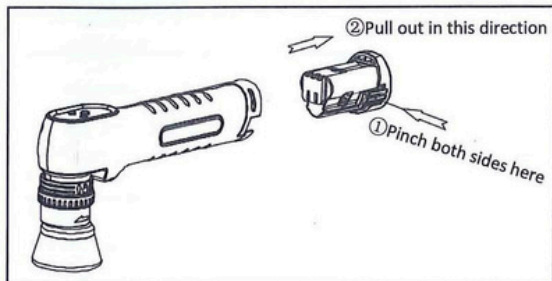
Installation or removal of the battery pack



Caution! Before installing or removing the battery pack be sure to power off the tool.



- 1, Lock key
- 2, 10.8/12V lithium battery
- 3, AC and DC transformer power supply
- 4, Cigarette light power supply
- 5, Fuselage
- 6, LCD display
- 7, Power switch
- 8, RPM "-" key
- 9, RPM "+" key



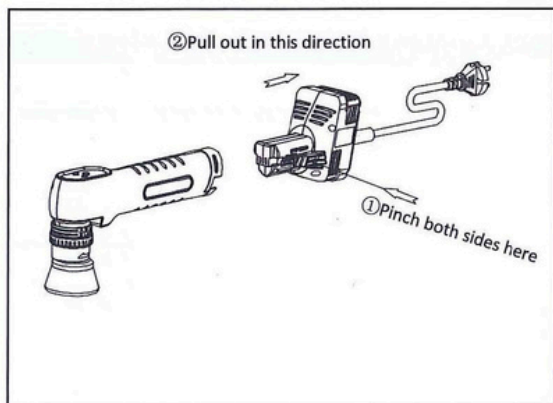
Installation:

The battery pack is flat up, aligned with the rear of the

Disassembly:

Press the lock keys on both sides of the battery and pull out the battery pack in the direction pointed by the arrow.

Hold the tool and battery pack tightly when installing or removing the battery pack, failure to grip the tool and battery pack may cause it to slip from your hand and damage them, causing personal injury. An impact on the battery pack may cause an explosion.



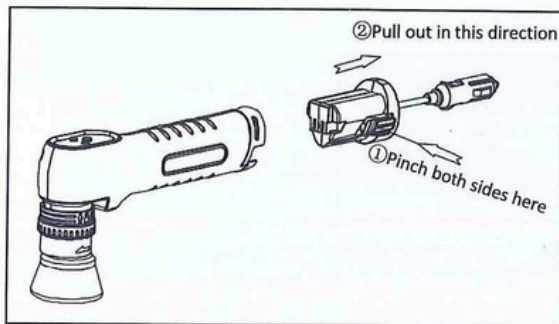
Installation:

The battery pack is flat up, aligned with the rear of the machine and inserted until a "click" is heard.

Disassembly:

Press the lock keys on both sides of the battery and pull out the battery pack in the direction pointed by the arrow.

Hold the tool and power box tightly when installing or removing the battery pack, failure to grip the tool and battery pack may cause it to slip from your hand and damage them, causing personal injury. An impact on the battery pack may cause an explosion.



Installation:

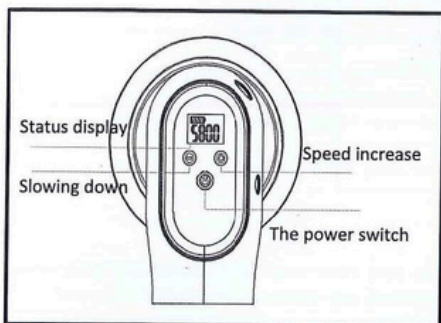
The battery pack is flat up, aligned with the rear of the machine and inserted until a "click" is heard.

Disassembly:

Press the lock keys on both sides of the battery and pull out the battery pack in the direction pointed by the arrow.

Hold the tool and power box tightly when installing or removing the battery pack, failure to grip the tool and battery pack may cause it to slip from your hand and damage them, causing personal injury. An impact on the battery pack may cause an explosion.

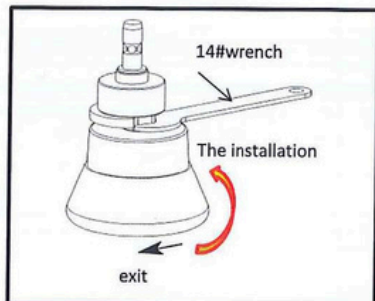
LCD display



After long pressing the power switch for 1.5 seconds, the screen lights up, showing the current gear 0, speed 0000, battery level, etc. Press "+" speed increase, respectively 2000-3000-4000-5800 rpm, add to the maximum speed 5800 rpm, if you still press "+" speed will appear cycle, 5800-0-2000 rpm, on the contrary, press "-" the speed decreases, click the power switch when the machine is running, the speed is off, at this time the display is 0000 rpm, long press for 1.5 seconds to turn off the display.

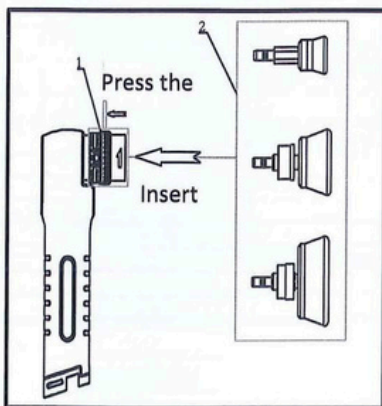
Assemble

CAUTION • Before adjusting or checking tool functionality, be sure to power off the tool and remove the battery pack.



Use a 14# open-end wrench to insert and fix the flat square of the shaft, rotate the polishing disc counterclockwise to disassemble, and rotate the polishing disc clockwise for installation. Pay attention to rotation and tightening during

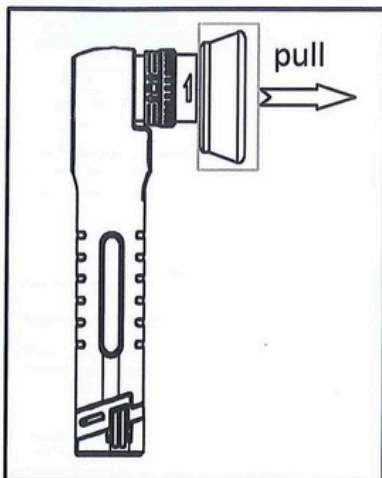
Attention



1. adjustment sleeve
2. work head

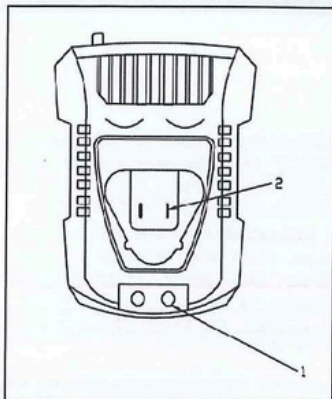


Press the adjustment sleeve "1" to insert the working head "2" into the output shaft hole of the machine and put it in place, and then release the adjustment sleeve "1" when resetting, indicating that the working head and the output shaft are installed in place, if there is no "gada" sound, it proves that the installation is not in place, at this time, you can shake the working head and install it in place.



In order to confirm whether the working head is fully installed in place, grasp the working head part with your hand, pull hard in the direction of the arrow, and prove that it has been installed in place if it cannot be pulled out, otherwise you need to reinstall the working head and confirm that it is fully installed in place before starting the machine

Charger



1. Charging indicator
2. Charging base

Charger technical parameters

Type	Charger
Input voltage	100V-240V
Frequency	50/60Hz
Output voltage	13V
Input power	31.2W
Charging current	2.4A

Maintenance

Caution

Before inspecting or caring for the tool, be sure to turn off the tool/power supply and remove the battery pack.

Never use gasoline, benzene, thinner, alcohol, or similar items to clean the tool, as this may cause discoloration, deformation, or cracks in the tool.

The tool and its exhaust suction hole must be kept clean, and the tool exhaust suction hole should be cleaned regularly or at any time in the event of a blockage.

Definition of LCD Fault Indicator Code

No.	Type	LCD Fault Code	Fault Description
1	Overcurrent Protection	E1	When the machine is working, the current value exceeds the overcurrent protection value and the duration exceeds the overcurrent protection delay.
2	Startup Failure Protection	E3	When the motor is blocked, starting the machine causes the motor to fail to start or the controller drive circuit to malfunction.
3	Motor Shaft Lock Protection	E4	The motor was forcibly blocked (completely stationary) during the branch process and the duration exceeds the locked-rotor time value.
4	Over-temperature Protection	E5	Protection when the NTC temperature for detecting MOS temperature exceeds the set value or when the NTC is open circuit.
5	Under-voltage Protection	E6	Protection when the battery voltage is lower than the under-voltage setting value.
6	Hardware Protection	E7	MOS short circuit, motor short circuit.
7	Motor Protection	E8	When the motor is operating and the load is too heavy, if the current and speed of the motor exceed the low-speed protection parameters, the protection will be triggered.
8	Overvoltage Protection	E9	Protection when the battery voltage exceeds the overvoltage setting value.

Parts List

P. NO.	PARTS NAME	QTY	P. NO.	PARTS NAME	QTY
1	ST2. 2X6 screws	4	34-2	8MM eccentric components	1
2	Adjust the sleeve gland	1			
3	Adjustment sleeve	1			
4	Large springs	1			
5	Round circlips	1			
6	Adjust the bushing	1			
7	Small springs	1			
8	Ø4-steel balls	6	34-3	12MM eccentric components	1
9	Output shaft	1			
10	Ø32-hole circlip	1			
11	6002-bearing	1			
12	Flange brass sleeve	1			
13	Bag gear	1			
14	625-bearing	1	36	Ø2.5-open cylindrical pin	1
15	Skullshell	1	37	1" Polishing disc	1
16	Dashboard	1	38	2" Polishing disc	1
17	Keystroke	1	39	3" Polishing disc	1
18	Right Casing	1			
19	ST3X12-screws	9			
20	Label	1			
21	Transparent cover	1			
22	4x10-screws	2			
23	Pinions	1			
24	625-bearing	1			
25	Middle cover	1			
26	Ø5xØ9x10-copper sleeve	1			
27	Brushless motor with	1			
28	Controller	1			
29	Pins	1			
30	Left case	1			
31	V-inset	1			
32-1	12V lithium battery	1			
32-2	On-board power supply	1			
32-3	AC power	1			
33	Eccentric connection shaft	1			

